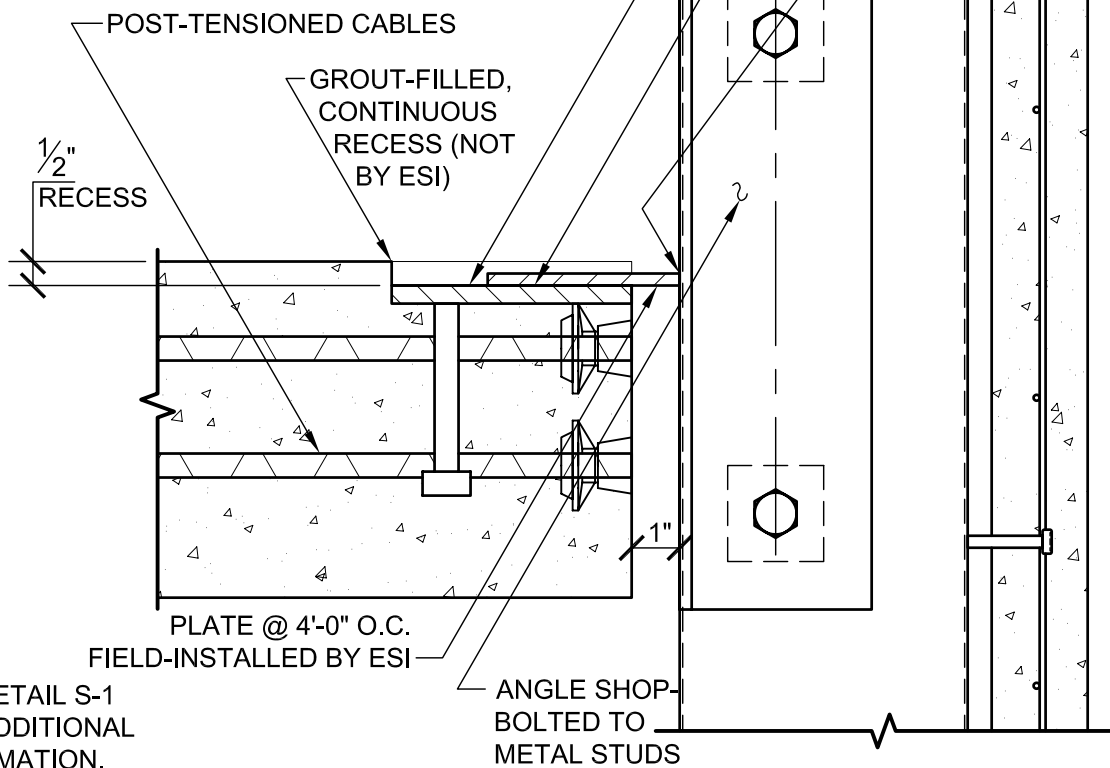


CONTINUOUS PLATE & H.A.S. DESIGNED BY  
ENGINEER OF RECORD, SUPPLIED AND  
INSTALLED BY C.I.P. SUBCONTRACTOR.



SEE DETAIL S-1  
FOR ADDITIONAL  
INFORMATION.

**GRAVITY CONNECTION @ POST-TENSIONED SLAB**

**S-2**

**SCALE DN.BY DATE**

3" = 1'-0" CEK 5/1/06