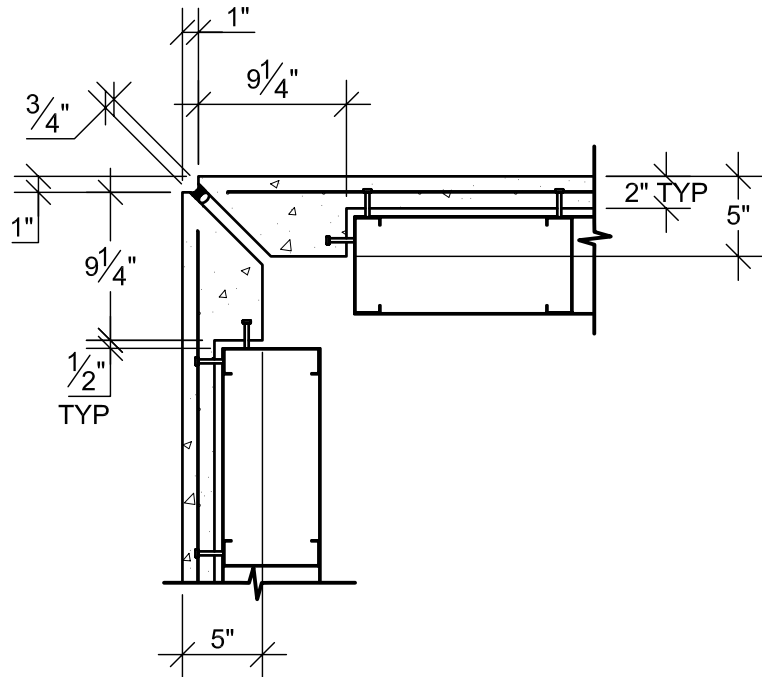


**OPTION 1**  
TYPICAL CORNER DETAIL



**OPTION 2**  
MITERED CORNER

SEE DETAIL A-1  
FOR ADDITIONAL  
INFORMATION

TYPICAL CORNER DETAILS

A-8

SCALE DN.BY DATE

1" = 1'-0" CEK 5/1/06